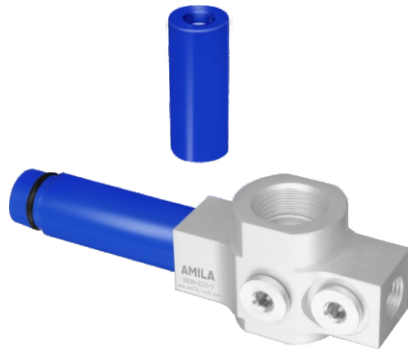


Basic Ejectors

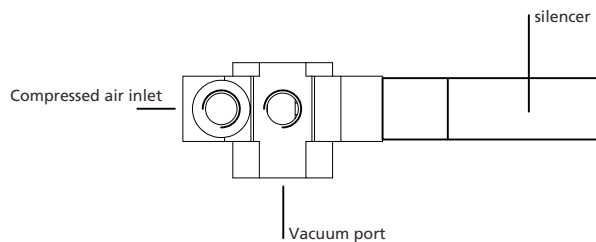
Basic Ejectors M3010

Suction capacity: 45 L/min to 86 L/min

Basic Ejectors M3010



System Design Basic Ejectors M3010



Introduction and application

- ◆ Can be mounted directly to any G3/8 external threaded suction cup
- ◆ Configure a 2- or 3-level vacuum tube that can be customized to meet your specific needs. The Si vacuum tube provides high vacuum flow and the Xi vacuum tube provides high vacuum.

Design

- ◆ Body made of aluminum
- ◆ Single vacuum generator
- ◆ The seal is made of NBR rubber
- ◆ alternate component: vacuum table

Ordering Data Basic Ejectors M3010

Type	Vacuum tube type	Vacuum tube series	Ordering Data
M-3010-SI08-2	SI 08	2	90.05.01.00200
M-3010-SI08-3	SI 08	3	90.05.01.00129
M-3010-XI10-2	XI 10	2	90.05.01.00199
M-3010-XI10-3	XI 10	3	90.05.01.00130

Technical Data Basic Ejectors M3010

Type	Maximum vacuum [%]	Maximum suction force [l/min]	Air consumption [l/min]	Operating pressure [bar]	weight [g]	Operating temperature [°C]
M-3010-SI08-2	70	46	23	5	70	-10...80
M-3010-SI08-3	70	74	23	5	70	-10...80
M-3010-XI10-2	88	45	36	5	70	-10...80
M-3010-XI10-3	88	86	36	5	70	-10...80

Basic Ejectors

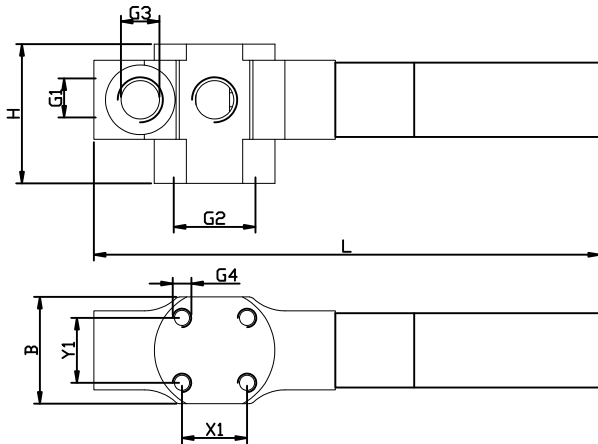
Basic Ejectors M3010

Suction capacity: 45 L/min to 86 L/min



Design Data Basic Ejectors M3010

M3010

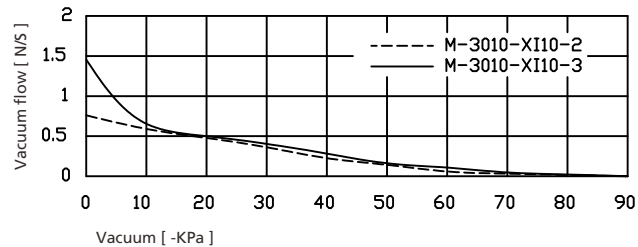


Type	Dimensions [mm]									
	B	G1	G2	G3	G4	H	L	X1	Y1	
M-3010-2	23	G1/8-F	G3/8-F	G1/8-F	M4-F	30	109	14	14	
M-3010-3	23	G1/8-F	G3/8-F	G1/8-F	M4-F	30	130	14	14	



Performance curve Basic Ejectors M3010

Vacuum flow corresponding to different vacuum degrees at 5 bar working pressure



Vacuum flow corresponding to different vacuum degrees at 5 bar working pressure

